

# USER MANUAL

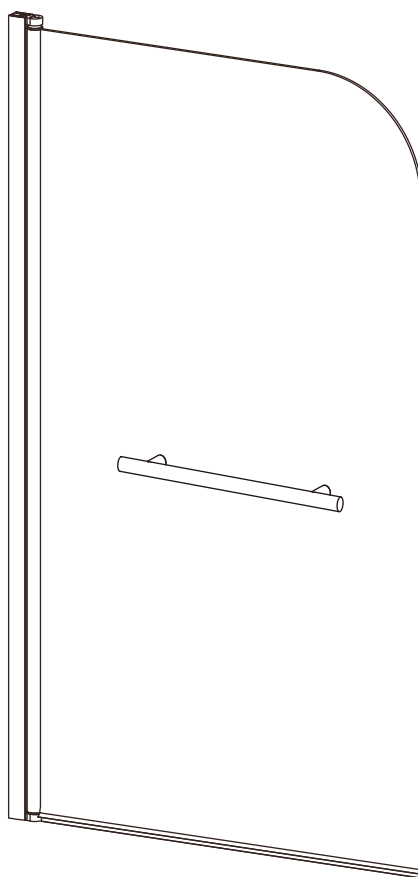


Thank you for choosing Better Bathrooms.  
Please read this manual before installing your product  
and keep for future reference.

better  
bathrooms

## BATH SCREEN

BeBa\_26025/BeBa\_26027



- **Multi person assembly**
- **We always recommend using professional tradespeople to install your product**

V1\_26.11.2020

## Congratulations on your purchase

And welcome to our growing gang of savvy shoppers

We're on a mission to bring you extraordinary bathroom products, for less. From modern to traditional style ceramics, plus the gorgeous fixtures, fittings and furniture to match. So, you can fall in love with your space every single day.

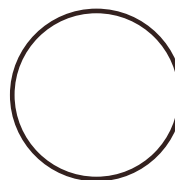
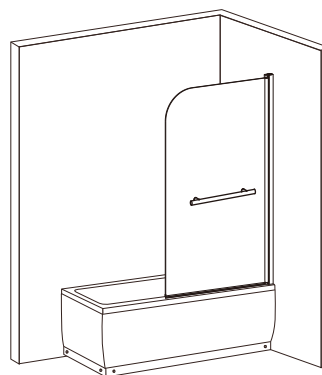
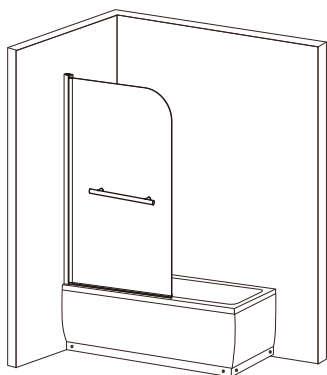
As one of the UK's largest independent bathroom stores, we've received countless awards; including the National Business Awards UK, the Digital Entrepreneur Awards and being placed on The Sunday Times Fast Track 100.

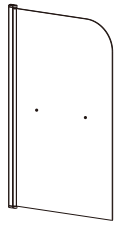
We hope your new product exceeds your highest expectations. However, if you experience any problems, please:

- call our friendly UK call centre on **03303903062** (9am-7pm Monday to Friday, or 10am-4pm Saturday and Sunday), or
- send us a message via **customerservices@buyitdirect.co.uk**

## Important information

- Please read these instructions thoroughly and retain for future reference
- Always check walls prior to drilling for pipes and cables

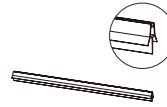




[01]x1



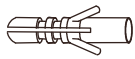
[02]x1



[03]x1



[04]x3



[05]x3



[06]x1



[07a]x1



[07b]x1



[10]x1

1:1



(ST4X10mm)

[08]x3

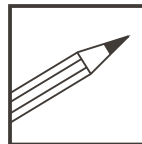
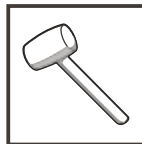
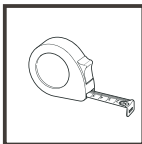
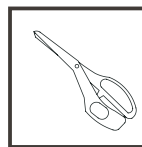
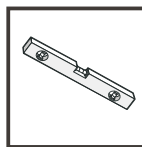
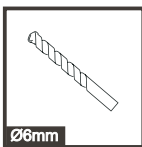


(ST4X30mm)

[09]x3

## You will need

To assemble your product (Tools not provided).

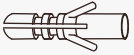


# Assembly

01



[02]x1

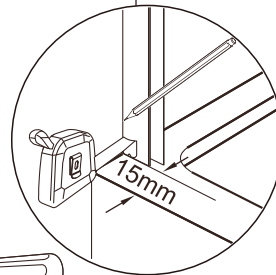
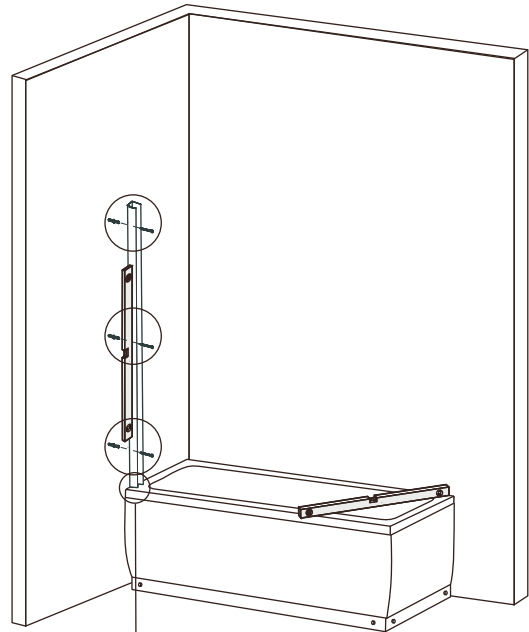
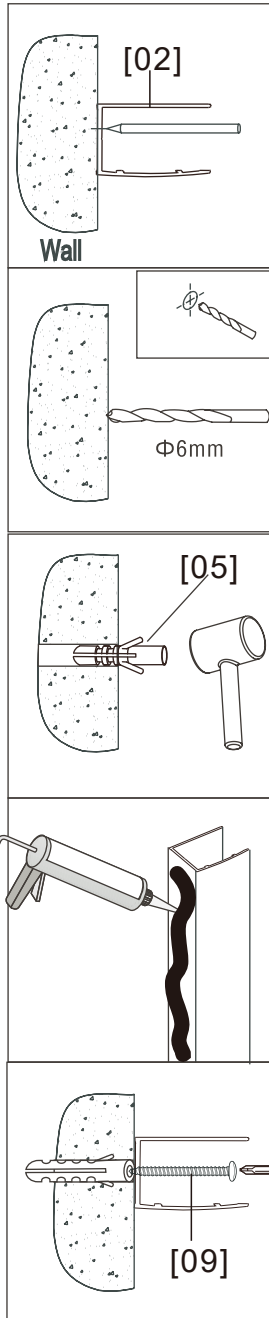


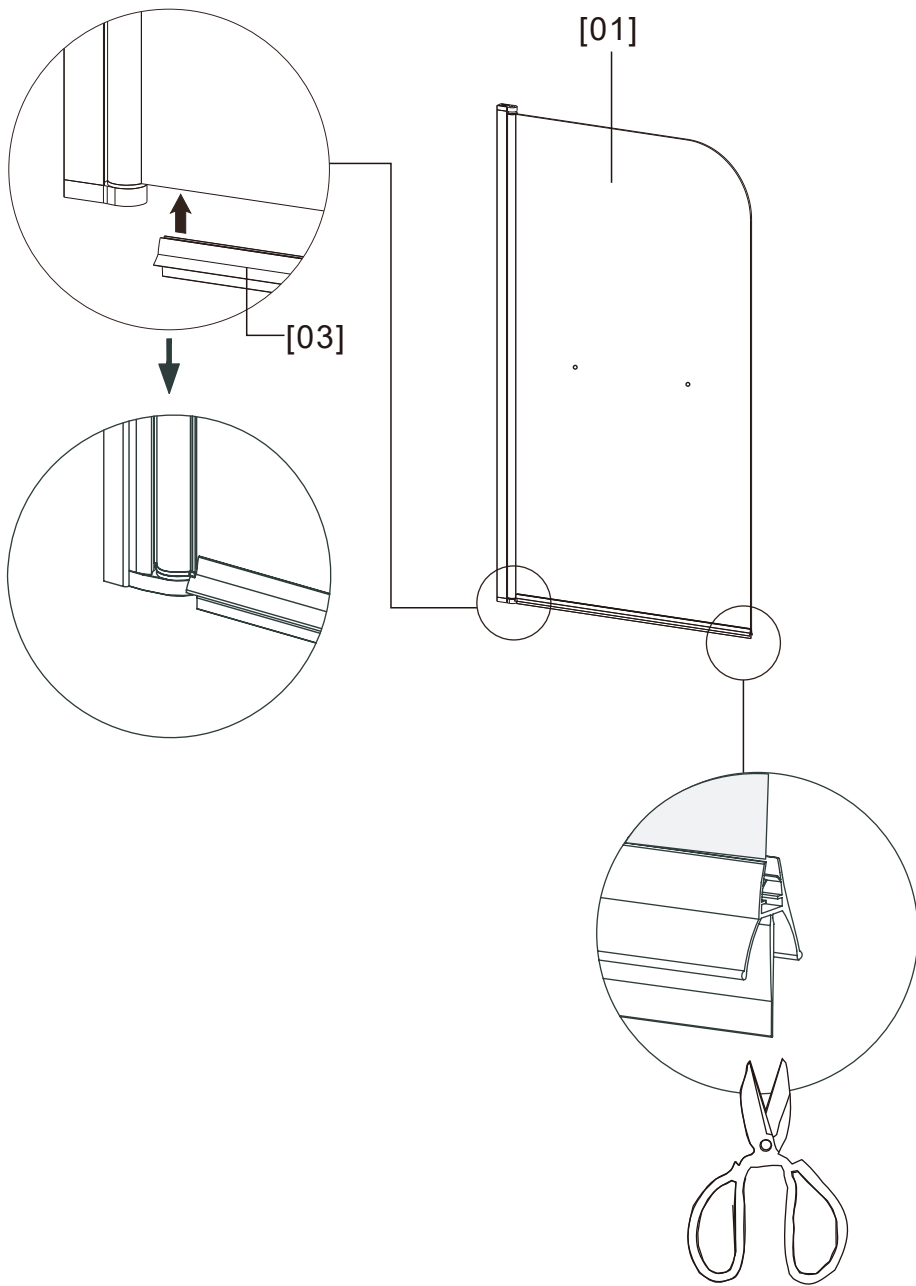
[05]x3



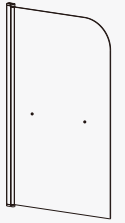
(ST4X30mm)

[09]x3

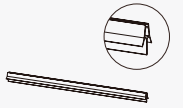




02

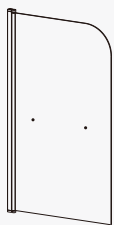


[01]x1



[03]x1

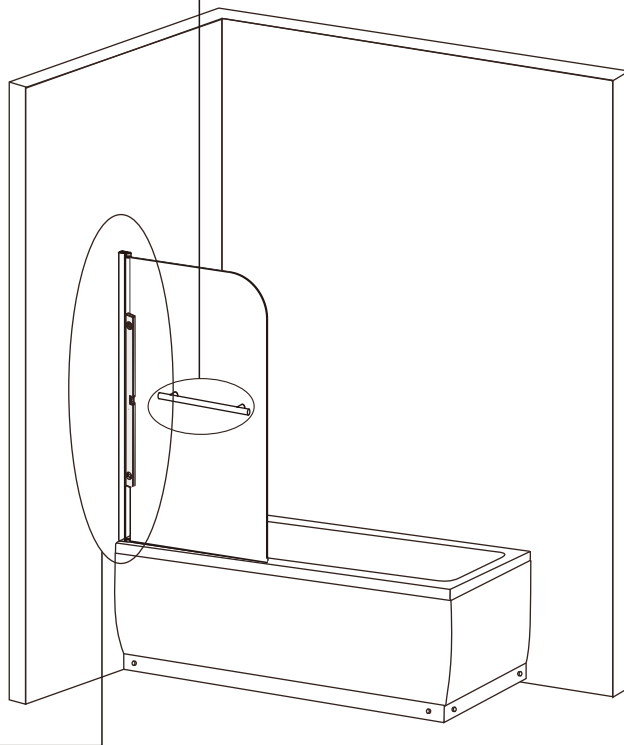
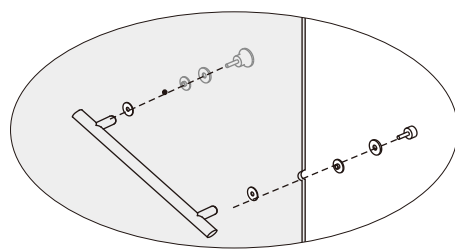
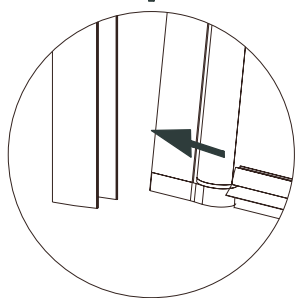
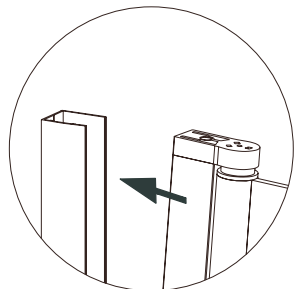
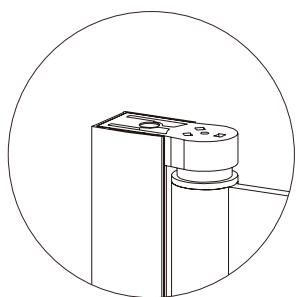
03

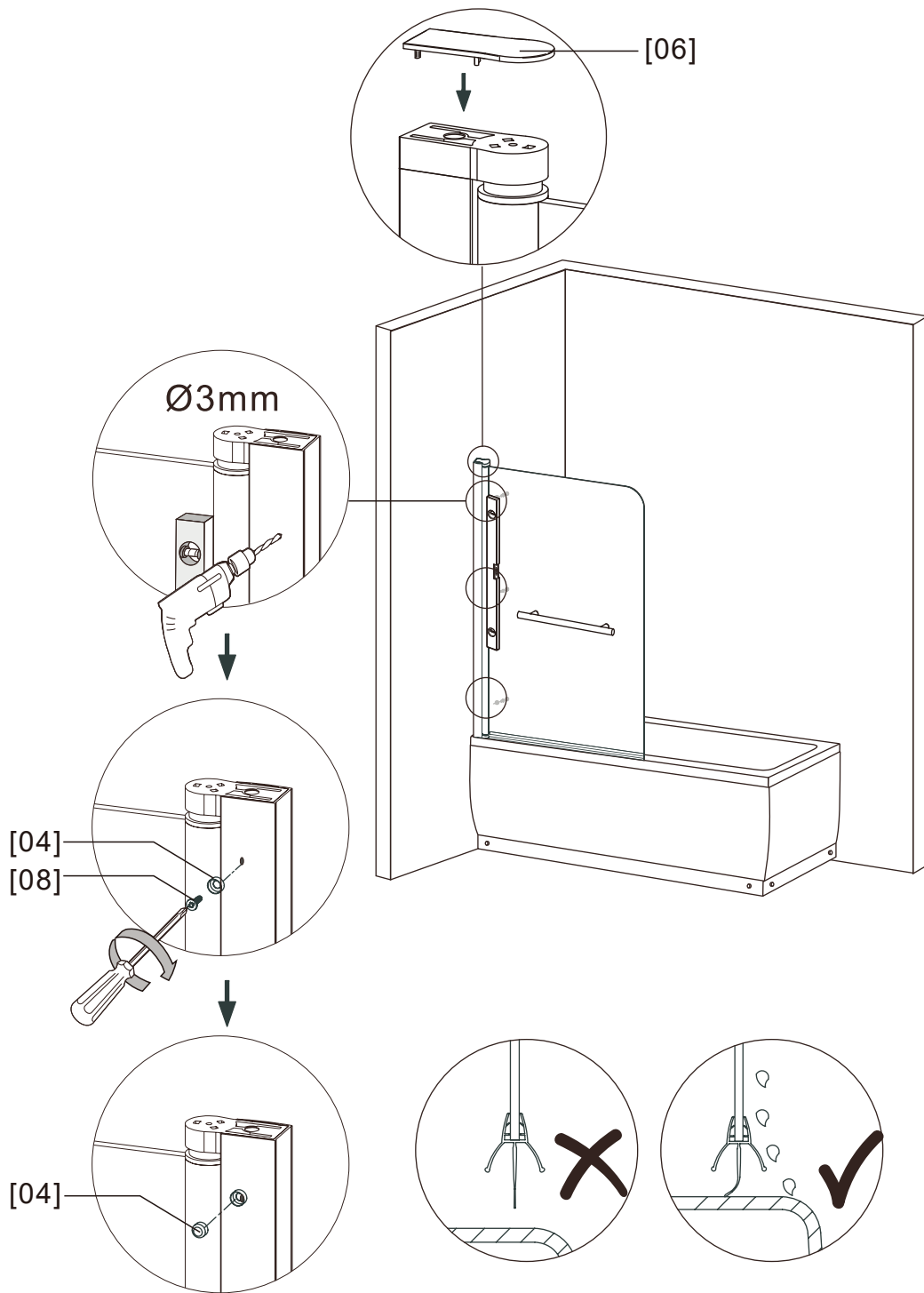


[01]x1



[10]x1





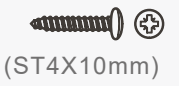
04



[06]x1



[04]x3



(ST4X10mm)

[08]x3

05

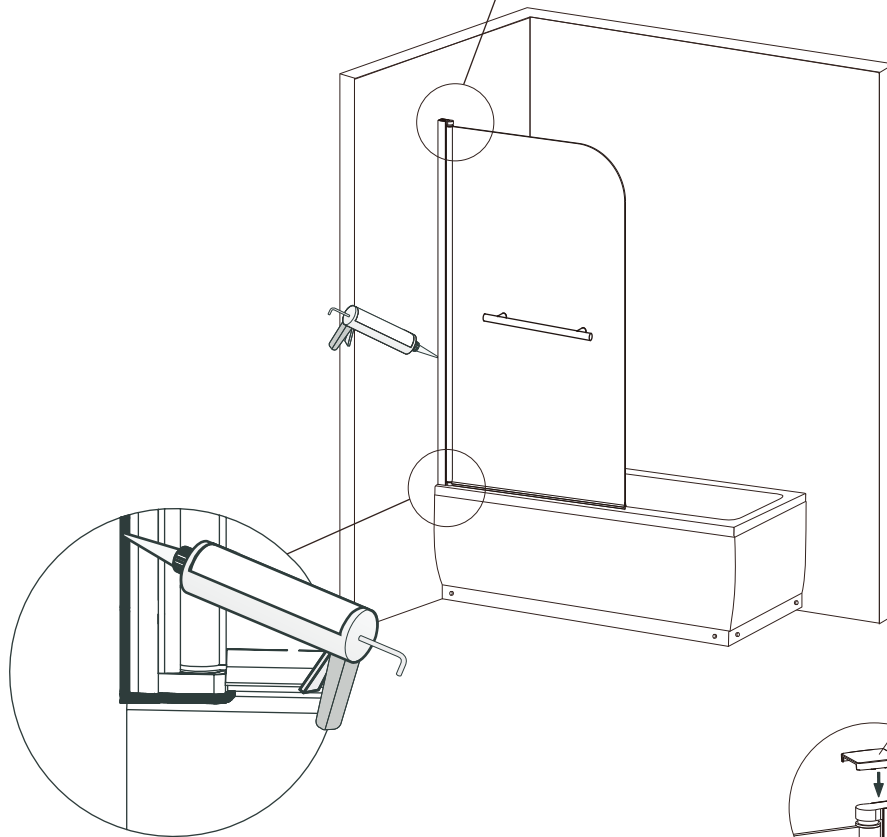
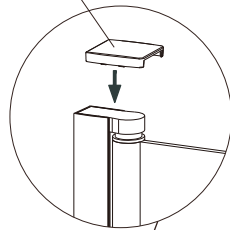


[07a]x1

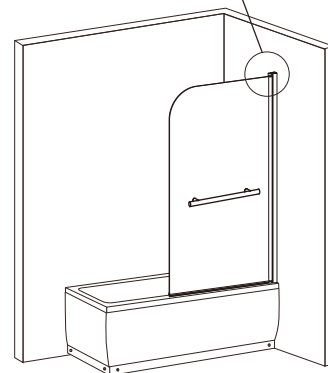
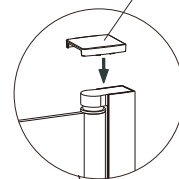


[07b]x1

[07a]



[07b]





## Maintenance

Regularly check moving parts such as rollers and hinges to ensure they are secure and adjusted correctly. Tighten and adjust where required. Also check all sealed joints to ensure seal has not deteriorated. Re-seal if required.

## Cleaning

To maintain the surface of your product, wipe with a clean damp cloth and wipe dry, do not use any abrasive cleaning agents or materials. If any harsh chemicals come into contact with the surface of the product, rinse and wipe clean immediately.

### ***For more information***

- visit [betterbathrooms.com](http://betterbathrooms.com)
- email [customerservices@buyitdirect.co.uk](mailto:customerservices@buyitdirect.co.uk)
- call 03303903062
- write to Trident Business Park, Neptune Way, Huddersfield, HD2 1UA

**better  
bathrooms** 

Part of the BuyItDirect Group